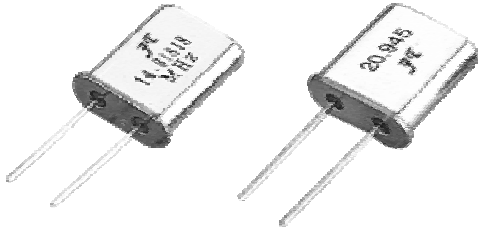


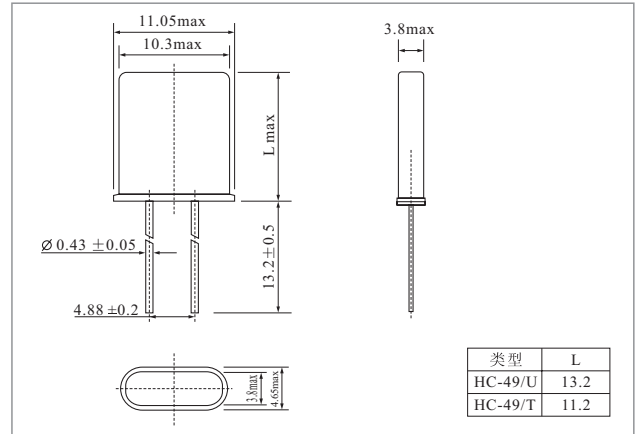
QUARTZ CRYSTAL RESONATOR

石英晶体谐振器

HC-49U/HC-49T DIP TYPE



DIMENSIONS (Unit: mm) 外形尺寸



PART NUMBER GUIDE 部件号示例 e.g. FTX14.318M20U (*U=HC-49U T=HC-49T)

	Quartz Crystal Resonator 石英晶体谐振器	Frequency 频率(14.318MHz)	Load Capacitance 负载电容	*Package Type 盒形
FT	X	14.318M	20	U

1.PARAMETERS 技术参数

PARAMETER	参 数	SPECIFICATION 规格
Frequency Range	频率范围 (MHz)	1.8MHz~100MHz
Operation Mode	振动模式	See Table 2 见表2
Load capacitance C_L	负载电容 (pF)	20pF Std. 8 to 35pF series available
Frequency Tolerance F_L	调整频差 (ppm)	$\pm 30\text{ppm}@25^\circ\text{C}$ Std. ($\pm 5\text{ppm}\sim\pm 100\text{ppm}$ available)
Temperature Tolerance T_L	温度频差 (ppm)	$\pm 50\text{ppm}$ Std. (See Table 3 见表3)
Operating Temperature T_o	工作温度 ($^\circ\text{C}$)	-20°C to $+70^\circ\text{C}$ Std. (See Table 3 见表3)
Storage Temperature S_T	储存温度 ($^\circ\text{C}$)	-55°C to $+125^\circ\text{C}$
Motional Resistance R_s	谐振电阻 (Ω)	See Table 2 见表2
Shunt Capacitance C_o	静态电容 (pF)	7pF max
Drive Level D_L	激励电平 (mW)	0.01mW~1mW
Insulation Resistance I_R	绝缘电阻 (M Ω)	500(DC500 \pm 10V) min
Aging@25 $^\circ\text{C}$	老化率 (ppm/y)	$\pm 5\text{ppm}$ max

© All specifications subject change without notice. 规格变化, 恕不另行通知。

2. OPERATION MODE AND RS 振动模式与谐振电阻

FREQUENCY	TYPE	MODE	HC-49T (Ω max)	HC-49U (Ω max)
1.8MHz~2.0MHz		FUND		600
2.0MHz~2.4MHz		FUND		450
2.4MHz~3.0MHz		FUND		350
3.0MHz~3.5MHz		FUND		150
3.5MHz~4.0MHz		FUND	150	90
4.0MHz~7.0MHz		FUND	90	70
7.0MHz~10MHz		FUND	50	50
10MHz~15MHz		FUND	45	35
15MHz~20MHz		FUND	25	25
20MHz~25MHz		FUND/3 rd OVERTONE	25/60	25/50
25MHz~30MHz		FUND/3 rd OVERTONE	25/40	25/40
30MHz~75MHz		3 rd OVERTONE	40	40
75MHz~100MHz		3 rd /5 th OVERTONE	50/60	50/60
20MHz~40MHz		BT FUND	40	40

3. FREQUENCY-TEMPERATURE TOLERANCE 温度频差

- Recommended 推荐使用 ○ Available 可用

Cutting 切型	Temp. Range	Tolerance(ppm)					
		± 5	± 10	± 15	± 20	± 30	± 50
AT	0 $^\circ\text{C}\sim+50^\circ\text{C}$	○	○	○	○	○	○
	-10 $^\circ\text{C}\sim+60^\circ\text{C}$		○	○	○	○	○
	-20 $^\circ\text{C}\sim+70^\circ\text{C}$			○	○	●	○
	-30 $^\circ\text{C}\sim+80^\circ\text{C}$				○	○	●
	-40 $^\circ\text{C}\sim+85^\circ\text{C}$						○
BT	Within a range of $\pm 80\sim\pm 120\text{ppm}$ BT 切温度频差一般为 $\pm 80\sim\pm 120\text{ppm}$						